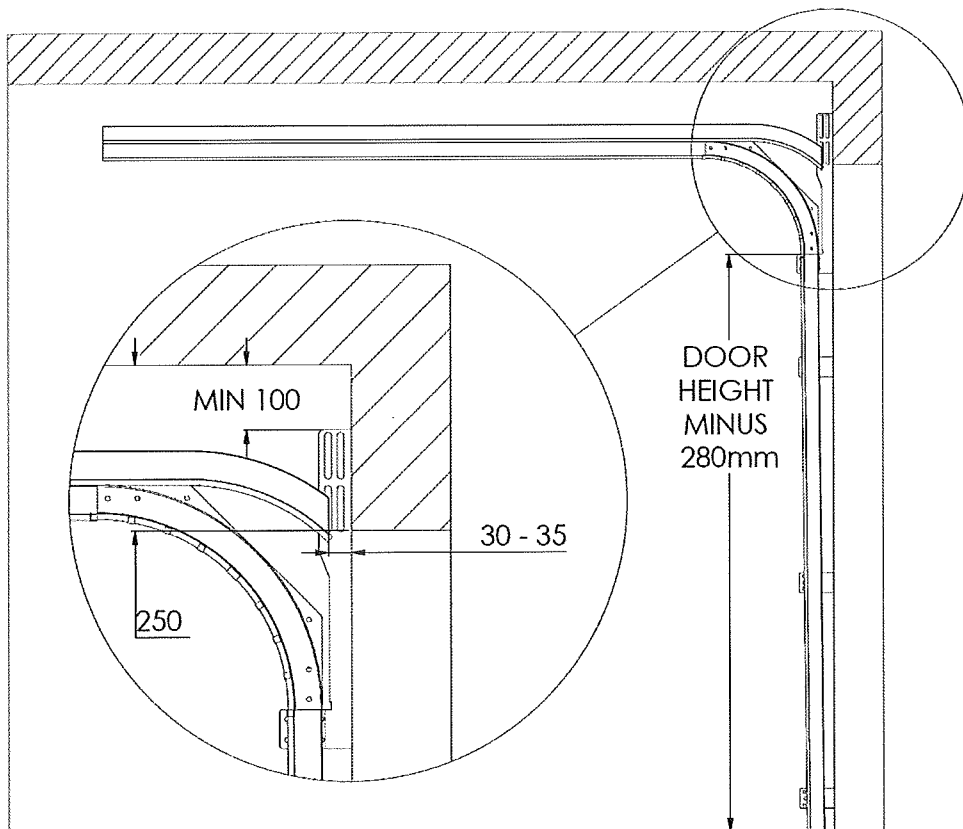


# STANDARD FRONT-MOUNTED LOW HEAD ROOM TRACK KIT INSTALL INSTRUCTIONS

1 x PAIR HORIZONTAL TRACKS

1 X LHR TRACK BAG.

- 2 x LHR top door brackets
- 6 x track junction plates
- 30 nuts and bolts



- Vertical track is 280mm less than door height (headroom of 250mm). [see diagram]
- Ensure flag bracket is no closer than 100mm from the ceiling.
- Install curve and horizontal tracks the same as standard head room door.

- Bolt LHR track to horizontal track with junction plates, nuts and bolts, adjust track so there is 30-35mm gap between front of LHR track and Wall. [see diagram]
- Bolt LHR top bracket to panel with wheel in LHR track. [Should be approximately level with top of panel]

